

# VMC Load Cells Catalog



**Virtual Measurements & Control, Inc.**

---

Sales Enquiry

## USA

3196 Coffey Lane, Suite 604, Santa Rosa, CA 95403 USA  
Tel : (707) 573 3111 Fax : (707) 573 3113 Website : <http://www.virtualmc.com>

## ASIA

No. 24 Hillview Terrace Singapore 669235  
Tel : (65) 6762 5522 Fax : (65) 6763 6656 E-mail : [sales@virtualmc.com](mailto:sales@virtualmc.com)

## Contents

S/N	Description
1	VLC-100 / VLC-100S Shear Beam Load Cell
2	VLC-100SH Shear Beam Hermetically Sealed Load Cell
3	VLC-101 Double Ended Shear Beam Load Cell
4	VLC-102 Double Ended Shear Beam Load Cell
5	VLC-106 Cantilever Load Cell
6	VLC-110/110S 'S' Type Load Cell
7	VLC-120 Compression Load Cell
8	VLC-121 Compression Double –Ended Load Cell
9	VLC-123 Compression Load Cell
10	VLC-125 Compression Load Cell
11	VLC-127 Compression Load Cell
12	VLC-131 Single Point Load Cell
13	VLC-132 Single Point Load Cell
14	VLC-133 Single Point Load Cell
15	VLC-134 Single Point Load Cell
16	VLC-137S Stainless Steel Single Point Load Cell
17	VLC-138 Single Point Load Cell
18	Accessories – Footing, Cable, Summing Box, Micro Printer
19	VLS-200 Digital Load Cell Simulator

## VLC-100 / VLC-100S

### SHEAR BEAM LOAD CELL

#### APPLICATIONS

Tank weighing  
Hopper weighing  
Platform scales



#### STANDARD CAPACITY

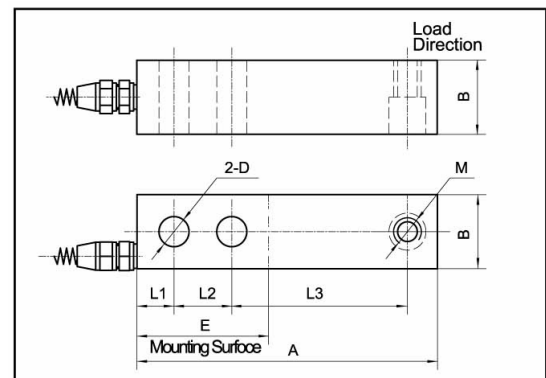
250, 500 lb
1k, 2k, 2.5k, 4k, 5k(S), 5k, 10klb
15k, 20klb

#### WIRING

RED	Input (+)
BLACK	Input (-)
GREEN	Output (+)
WHITE	Output (-)

#### SPECIFICATIONS

Rated output	3mV/V $\pm$ 0.25%
Non-linearity	0.03% F.S.
Hysteresis	0.03% F.S. (VLC-100) 0.05% F.S. (VLC-100S)
Non-repeatability	0.02% F.S.
Creep (in 1 hr)	0.03% F.S.
Zero Balance	$\pm$ 1%
Temp. effect span	15 PPM / °C
Temp. effect zero	26 PPM / °C
Operating Temp. range	-20°C ~ +60°C
Compensated Temp. range	-10°C ~ +40°C
Input resistance	385 $\pm$ 15 $\Omega$
Output resistance	350 $\pm$ 3 $\Omega$
Safe overload	150% F.S.
Ultimate overload	300% F.S.
Excitation voltage	10VDC/AC
Max. Excitation voltage	15VDC/AC
Insulation resistance	$\geq$ 2000M $\Omega$
Environmental protection	IP67
Material	Alloy tool steel (VLC-100) Stainless steel (VLC-100S)
Cable Length	20FT



#### DIMENSION

(inch)

Capacity	A	B	D	E	L1	L2	L3	M
250lb – 5klb (S)	5.12	1.25	0.53	2.25	0.62	1.00	3.00	½-20UNF-2B
5k – 10klb	6.75	1.50	0.78	3.00	0.75	1.50	3.75	¾-16UNF-2B
15k – 20klb	8.88	2.00	1.03	4.00	1.00	2.00	4.88	1-14UNF-2B

\* Specifications are subject to change without prior notice

Virtual Measurements & Control, Inc.  
3196 Coffey Lane, Suite 604, Santa Rosa, CA 95403, USA  
Tel : (707) 573-3111 Fax : (707) 573-3113  
<http://www.virtualmc.com>

Virtual Measurements & Control (Asia) Pte. Ltd.  
24 Hillview Terrace, Singapore 669235  
Tel : (65) 6762-5522 Fax : (65) 6763 6656  
[sales@virtualmc.com](mailto:sales@virtualmc.com)

## VLC-100SH

### SHEARBEAM HERMETICALLY SEALED LOAD CELL

#### APPLICATIONS

Tank weighing  
Hopper weighing  
Platform scales



#### STANDARD CAPACITY

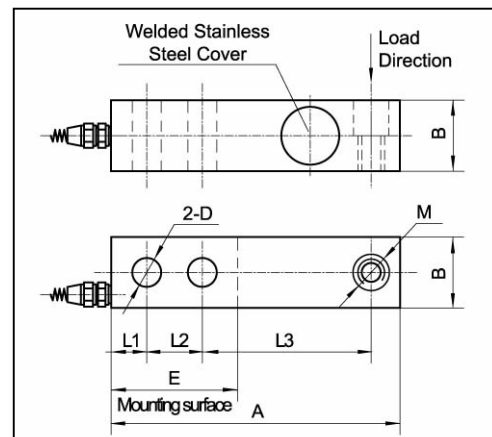
1k, 2.5k, 4k, 5k, 10klb

#### WIRING

RED	Input (+)
BLACK	Input (-)
GREEN	Output (+)
WHITE	Output (-)

#### SPECIFICATIONS

Rated output	2mV/V $\pm$ 0.25%
Non-linearity	0.03% F.S.
Hysteresis	0.05% F.S.
Non-repeatability	0.02% F.S.
Creep (in 1 hr)	0.03% F.S.
Zero Balance	$\pm$ 1%
Temp. effect span	15 PPM / °C
Temp. effect zero	26 PPM / °C
Operating Temp. range	-20°C ~ +60°C
Compensated Temp. range	-10°C ~ +40°C
Input resistance	385 $\pm$ 15 $\Omega$
Output resistance	350 $\pm$ 3 $\Omega$
Safe overload	150% F.S.
Ultimate overload	300% F.S.
Excitation voltage	10VDC/AC
Max. Excitation voltage	15VDC/AC
Insulation resistance	$\geq$ 2000M $\Omega$
Environmental protection	IP68
Material	Stainless steel
Cable Length	20FT



#### DIMENSION

	(inch)							
Capacity	A	B	D	E	L1	L2	L3	M
1k – 4klb	5.12	1.22	0.53	2.25	0.62	1.00	3.00	½-20UNF-2B
5k – 10klb	6.75	1.50	0.78	3.00	0.75	1.50	3.75	¾-16UNF-2B

\* Specifications are subject to change without prior notice

## VLC-101

### DOUBLE ENDED SHEAR BEAM LOAD CELL

#### APPLICATIONS

Tank, bin, silo  
batching, blending,  
and mixing systems



#### STANDARD CAPACITY

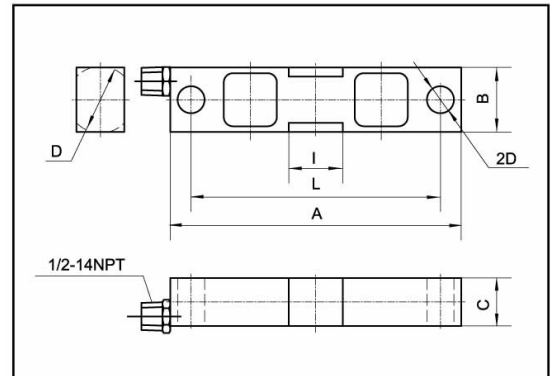
1k, 2.5k, 5k, 10klb  
15k, 20k, 25k, 50klb

#### WIRING

RED	Input (+)
BLACK	Input (-)
GREEN	Output (+)
WHITE	Output (-)

#### SPECIFICATIONS

Rated output	3mV/V $\pm$ 0.25%
Non-linearity	0.03% F.S.
Hysteresis	0.03% F.S.
Non-repeatability	0.02% F.S.
Creep (in 1 hr)	0.03% F.S.
Zero Balance	$\pm$ 1%
Temp. effect span	15 PPM / °C
Temp. effect zero	26 PPM / °C
Operating Temp. range	-20°C ~ +60°C
Compensated Temp. range	-10°C ~ +40°C
Input resistance	770 $\pm$ 40 $\Omega$
Output resistance	700 $\pm$ 5 $\Omega$
Safe overload	150% F.S.
Ultimate overload	300% F.S.
Excitation voltage	10VDC/AC
Max. Excitation voltage	30VDC/AC
Insulation resistance	$\geq$ 2000M $\Omega$
Environmental protection	IP67
Material	Alloy tool steel
Cable Length	50FT



#### DIMENSION

	(inch)						
Capacity	A	B	C	D	d	L	I
1 – 5klb	7.50	1.25	1.25	1.25	0.50	6.25	1.12
10 – 25klb	8.75	1.94	1.44	2.00	0.81	7.50	1.62
35klb	8.75	2.50	1.50	2.50	0.81	7.50	1.62
50 – 75klb	13.50	2.94	2.44	3.00	1.31	11.50	3.25

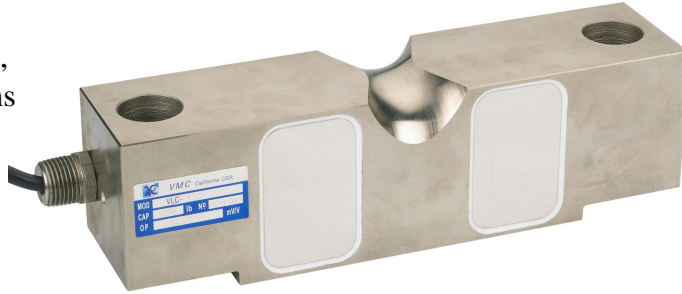
\* Specifications are subject to change without prior notice

## VLC-102

### DOUBLE ENDED SHEAR BEAM LOAD CELL

#### APPLICATIONS

Tank, bin, silo  
batching, blending,  
and mixing systems



#### STANDARD CAPACITY

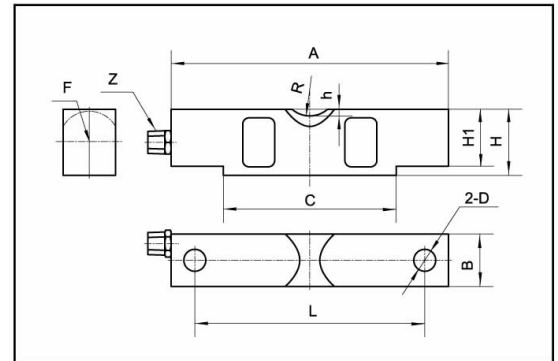
10k, 25k, 40k, 50klb  
75k, 125k, 150k, 200klb

#### WIRING

RED	Input (+)
BLACK	Input (-)
GREEN	Output (+)
WHITE	Output (-)

#### SPECIFICATIONS

Rated output	3mV/V $\pm$ 0.25%
Non-linearity	0.03% F.S.
Hysteresis	0.03% F.S.
Non-repeatability	0.02% F.S.
Creep (in 1 hr)	0.03% F.S.
Zero Balance	$\pm$ 1%
Temp. effect span	15 PPM / °C
Temp. effect zero	26 PPM / °C
Operating Temp. range	-20°C ~ +60°C
Compensated Temp. range	-10°C ~ +40°C
Input resistance	770 $\pm$ 40 $\Omega$
Output resistance	700 $\pm$ 5 $\Omega$
Safe overload	150% F.S.
Ultimate overload	300% F.S.
Excitation voltage	10VDC/AC
Max. Excitation voltage	30VDC/AC
Insulation resistance	$\geq$ 2000M $\Omega$
Environmental protection	IP67
Material	Alloy tool steel
Cable Length	50FT



#### DIMENSION

Capacity	A	B	C	D	L	H	H1	h	R	F	Z
10 – 25klb	7.75	1.69	4.99	0.68	6.50	1.94	1.70	0.07	0.75	0.90	¼ -18NPT
40klb	10.25	1.94	6.39	0.81	8.50	2.44	2.10	0.10	1.00	1.12	¼ -18NPT
50k – 75klb	10.25	2.44	6.39	1.06	8.50	2.94	2.65	0.11	1.00	1.37	½ -14NPT
100k – 125klb	15.25	2.90	8.99	1.62	12.75	3.86	3.47	0.13	1.50	1.80	½ -14NPT
150k – 200klb	19.25	3.80	11.25	1.62	15.75	5.80	5.12	0.68	2.00	2.37	½ -14NPT

\* Specifications are subject to change without prior notice

Virtual Measurements & Control, Inc.  
3196 Coffey Lane, Suite 604, Santa Rosa, CA 95403, USA  
Tel : (707) 573-3111 Fax : (707) 573-3113  
<http://www.virtualmc.com>

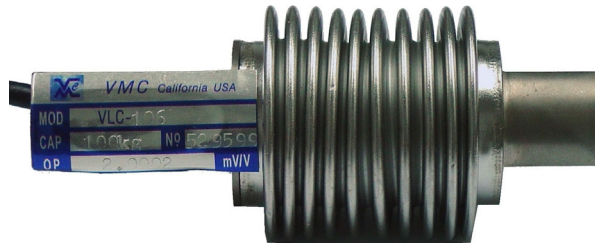
Virtual Measurements & Control (Asia) Pte. Ltd.  
24 Hillview Terrace, Singapore 669235  
Tel : (65) 6762-5522 Fax : (65) 6763 6656  
[sales@virtualmc.com](mailto:sales@virtualmc.com)

## VLC-106

### CANTILEVER LOAD CELL

#### APPLICATIONS

Tank weighing  
Hopper weighing  
Platform scales



#### STANDARD CAPACITY

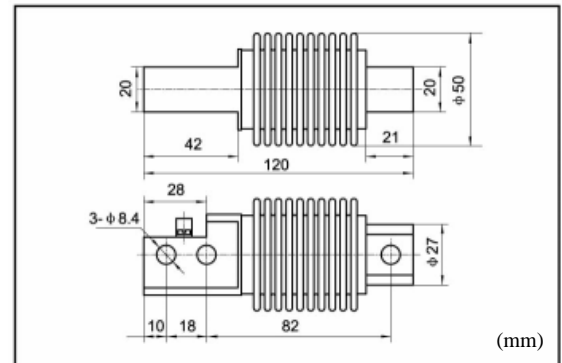
10, 20, 30, 50, 100, 200kg

#### WIRING

RED	Input (+)
BLACK	Input (-)
GREEN	Output (+)
WHITE	Output (-)

#### SPECIFICATIONS

Rated output	2mV/V $\pm$ 0.1%
Non-linearity	0.03% F.S.
Hysteresis	0.03% F.S.
Non-repeatability	0.02% F.S.
Creep (in 1 hr)	0.03% F.S.
Zero Balance	$\pm$ 1%
Temp. effect span	15 PPM / °C
Temp. effect zero	26 PPM / °C
Operating Temp. range	-20°C ~ +60°C
Compensated Temp. range	-10°C ~ +40°C
Input resistance	385 $\pm$ 15 $\Omega$
Output resistance	350 $\pm$ 3 $\Omega$
Safe overload	150% F.S.
Ultimate overload	300% F.S.
Excitation voltage	10VDC/AC
Max. Excitation voltage	15VDC/AC
Insulation resistance	$\geq$ 2000M $\Omega$
Environmental protection	IP68
Material	Alloy tool steel
Cable Length	20FT



\* Specifications are subject to change without prior notice



## VLC-110 / VLC-110S

### 'S' TYPE LOAD CELL

#### APPLICATIONS

Mechanical scale conversion,  
Tank, bin and hopper weighing,  
Truck scale conversion,  
Tension / compression measurement



#### STANDARD CAPACITY

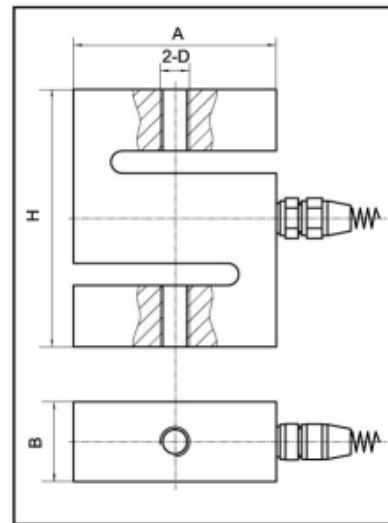
50, 100, 150, 250, 500, 750 lb  
1k, 1.5k, 2k, 3k, 5k, 10k, 15k, 20klb

#### WIRING

RED	Input (+)
BLACK	Input (-)
GREEN	Output (+)
WHITE	Output (-)

#### SPECIFICATIONS

Rated output	2.95 ~ 3.05 mV/V
Non-linearity	0.03% F.S.
Hysteresis	0.03% F.S. (VLC-110) 0.05% F.S. (VLC-110S)
Non-repeatability	0.02% F.S.
Creep (in 1 hr)	0.03% F.S.
Zero Balance	± 1%
Temp. effect span	15 PPM / °C
Temp. effect zero	26 PPM / °C
Operating Temp. range	-20°C ~ +60°C
Compensated Temp. range	-10°C ~ +40°C
Input resistance	385 ± 15Ω
Output resistance	350 ± 3Ω
Safe overload	150% F.S.
Ultimate overload	300% F.S.
Excitation voltage	10VDC/AC
Max. Excitation voltage	15VDC/AC
Insulation resistance	≥2000MΩ
Environmental protection	IP67
Material	Alloy tool steel (VLC-100) Stainless steel (VLC-100S)
Cable Length	20FT



#### DIMENSION

(inch)

Capacity	A	B	H	D
50 ~ 150 lb	2.00	0.50	2.50	¼-28UNF-2B
250 lb	2.00	0.75	3.00	⅜-24UNF-2B
500 ~ 1500 lb	2.00	0.75	3.00	½-20UNF-2B
2 ~ 3klb	2.00	1.00	3.00	½-20UNF-2B
5 ~ 10klb	3.00	1.00	4.25	¾-16UNF-2B
15klb	4.00	1.25	5.50	1-14UNF-2B
20klb	5.00	2.00	7.00	1¼-12UNF-2B

\* Specifications are subject to change without prior notice

Virtual Measurements & Control, Inc.  
3196 Coffey Lane, Suite 604, Santa Rosa, CA 95403, USA  
Tel : (707) 573-3111 Fax : (707) 573-3113  
http://www.virtualmc.com

Virtual Measurements & Control (Asia) Pte. Ltd.  
24 Hillview Terrace, Singapore 669235  
Tel : (65) 6762-5522 Fax : (65) 6763 6656  
sales@virtualmc.com



## VLC-120

### COMPRESSION LOAD CELL

#### APPLICATIONS

Tank weighing,  
Hopper weighing,  
Truck scale



#### STANDARD CAPACITY

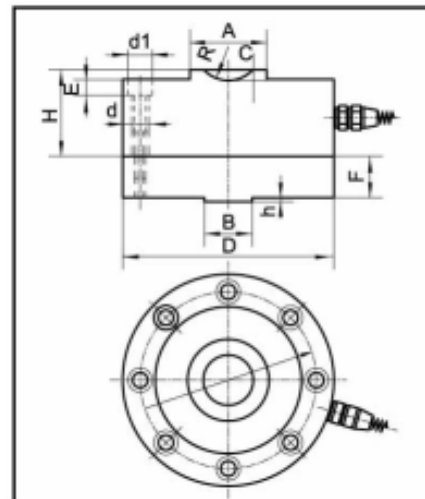
5k, 10k, 25k, 50k, 100klb

#### WIRING

RED	Input (+)
BLACK	Input (-)
GREEN	Output (+)
WHITE	Output (-)

#### SPECIFICATIONS

Rated output	4mV/V $\pm$ 0.25%
Non-linearity	0.03% F.S.
Hysteresis	0.05% F.S.
Non-repeatability	0.02% F.S.
Creep (in 1 hr)	0.05% F.S.
Zero Balance	$\pm$ 1%
Temp. effect span	15 PPM / °C
Temp. effect zero	26 PPM / °C
Operating Temp. range	-20°C ~ +60°C
Compensated Temp. range	-10°C ~ +40°C
Input resistance	385 $\pm$ 15 $\Omega$
Output resistance	350 $\pm$ 3 $\Omega$
Safe overload	150% F.S.
Ultimate overload	300% F.S.
Excitation voltage	10VDC/AC
Max. Excitation voltage	15VDC/AC
Insulation resistance	$\geq$ 2000M $\Omega$
Environmental protection	IP67
Material	Alloy tool steel
Cable Length	50FT



#### DIMENSION

	(inch)											
Capacity	A	B	C	D	E	H	F	R	Ø	d	d1	h
5k , 10klb	1.34	1.25	0.20	4.12	0.28	1.75	0.75	0.64	3.50	0.28	0.41	0.04
25k, 50klb	1.60	1.25	0.30	4.75	0.38	2.12	0.94	0.88	4.00	0.34	0.51	0.04
100klb	2.00	1.25	0.30	5.50	0.40	2.25	1.14	0.88	4.60	0.41	0.63	0.04

\* Specifications are subject to change without prior notice

## VLC-121

### COMPRESSION DOUBLE-ENDED LOAD CELL

#### APPLICATIONS

Tank weighing,  
Truck scale



#### STANDARD CAPACITY

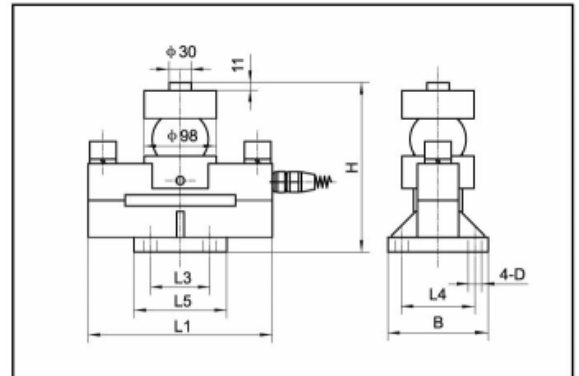
10T, 25T, 30T, 50T

#### WIRING

RED	Input (+)
BLACK	Input (-)
GREEN	Output (+)
WHITE	Output (-)

#### SPECIFICATIONS

Rated output	2mV/V $\pm$ 0.1%
Non-linearity	0.03% F.S.
Hysteresis	0.03% F.S.
Non-repeatability	0.02% F.S.
Creep (in 1 hr)	0.03% F.S.
Zero Balance	$\pm$ 1%
Temp. effect span	15 PPM / $^{\circ}$ C
Temp. effect zero	26 PPM / $^{\circ}$ C
Operating Temp. range	-20 $^{\circ}$ C ~ +60 $^{\circ}$ C
Compensated Temp. range	-10 $^{\circ}$ C ~ +40 $^{\circ}$ C
Input resistance	770 $\pm$ 40 $\Omega$
Output resistance	700 $\pm$ 5 $\Omega$
Safe overload	150% F.S.
Ultimate overload	300% F.S.
Excitation voltage	10VDC/AC
Max. Excitation voltage	30VDC/AC
Insulation resistance	$\geq$ 2000M $\Omega$
Environmental protection	IP67
Material	Alloy tool steel
Cable Length	50FT



#### DIMENSION

(mm)

Capacity	L1	L3	L4	L5	H	B	D
10T	240	80	100	126	199.9	136	$\varnothing$ 18
25T, 30T	240	80	100	126	229.3	136	$\varnothing$ 18
50T	340	124	124	160	261	160	$\varnothing$ 22

\* Specifications are subject to change without prior notice

## VLC-123

### COMPRESSION LOAD CELL

#### APPLICATIONS

Truck scale



#### STANDARD CAPACITY

15T, 20T, 25T, 30T

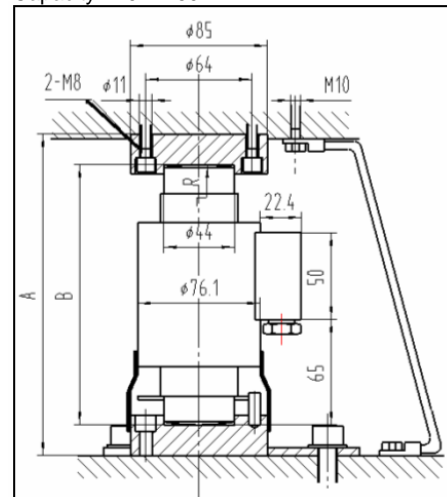
#### WIRING

RED	Output (+)
BLACK	Input (-)
GREEN	Input (+)
WHITE	Output (-)
BLUE	Sensing (+)
YELLOW	Sensing (-)

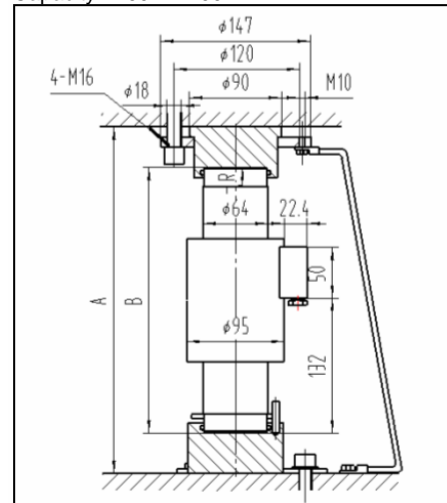
#### SPECIFICATIONS

Rated output	2mV/V $\pm$ 0.1%
Non-linearity	0.03% F.S.
Hysteresis	0.03% F.S.
Non-repeatability	0.02% F.S.
Creep (in 1 hr)	0.03% F.S.
Zero Balance	$\pm$ 1%
Temp. effect span	15 PPM / $^{\circ}$ C
Temp. effect zero	26 PPM / $^{\circ}$ C
Operating Temp. range	-20 $^{\circ}$ C ~ +60 $^{\circ}$ C
Compensated Temp. range	-10 $^{\circ}$ C ~ +40 $^{\circ}$ C
Input resistance	770 $\pm$ 20 $\Omega$
Output resistance	700 $\pm$ 5 $\Omega$
Safe overload	150% F.S.
Ultimate overload	300% F.S.
Excitation voltage	10VDC/AC
Max. Excitation voltage	30VDC/AC
Insulation resistance	$\geq$ 2000M $\Omega$
Environmental protection	IP67
Material	Alloy tool steel
Cable Length	50FT

Capacity : 20T ~ 60T



Capacity : 100T ~ 200T



\* Specifications are subject to change without prior notice

## VLC-125

### COMPRESSION LOAD CELL

#### APPLICATIONS

Truck scale



#### STANDARD CAPACITY

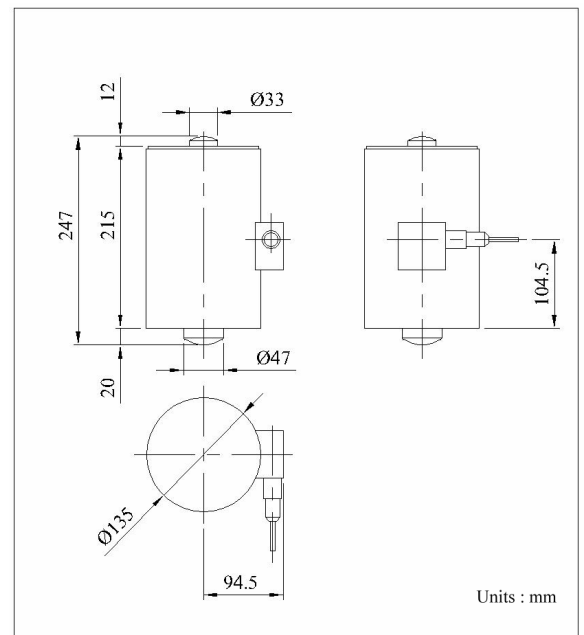
24T

#### WIRING

RED	Output (+)
BLACK	Input (-)
GREEN	Input (+)
WHITE	Output (-)
BLUE	Sensing (+)
YELLOW	Sensing (-)

#### SPECIFICATIONS

Rated output	1.8mV/V $\pm$ 0.1%
Non-linearity	0.02% F.S.
Hysteresis	0.02% F.S.
Non-repeatability	0.01% F.S.
Creep (in 1 hr)	0.02% F.S.
Zero Balance	$\pm$ 1%
Temp. effect span	15 PPM / °C
Temp. effect zero	26 PPM / °C
Operating Temp. range	-20°C ~ +60°C
Compensated Temp. range	-10°C ~ +40°C
Input resistance	350 $\pm$ 5 $\Omega$
Output resistance	350 $\pm$ 5 $\Omega$
Safe overload	150% F.S.
Ultimate overload	300% F.S.
Excitation voltage	10VDC/AC
Max. Excitation voltage	15VDC/AC
Insulation resistance	$\geq$ 2000M $\Omega$
Environmental protection	IP68
Material	Stainless steel
Cable Length	50FT



\* Specifications are subject to change without prior notice

## VLC-127

### COMPRESSION LOAD CELL

#### APPLICATIONS

Truck scale



#### STANDARD CAPACITY

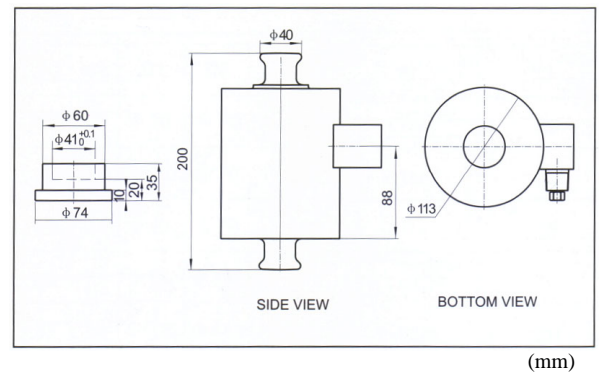
30T

#### WIRING

RED	Output (+)
BLACK	Input (-)
GREEN	Input (+)
WHITE	Output (-)
BLUE	Sensing (+)
YELLOW	Sensing (-)

#### SPECIFICATIONS

Rated output	2mV/V $\pm$ 0.1%
Non-linearity	0.03% F.S.
Hysteresis	0.03% F.S.
Non-repeatability	0.02% F.S.
Creep (in 1 hr)	0.03% F.S.
Zero Balance	$\pm$ 1%
Temp. effect span	15 PPM / $^{\circ}$ C
Temp. effect zero	26 PPM / $^{\circ}$ C
Operating Temp. range	-20 $^{\circ}$ C ~ +60 $^{\circ}$ C
Compensated Temp. range	-10 $^{\circ}$ C ~ +40 $^{\circ}$ C
Input resistance	750 $\pm$ 5 $\Omega$
Output resistance	700 $\pm$ 5 $\Omega$
Safe overload	150% F.S.
Ultimate overload	300% F.S.
Excitation voltage	10VDC/AC
Max. Excitation voltage	30VDC/AC
Insulation resistance	$\geq$ 2000M $\Omega$
Environmental protection	IP67
Material	Alloy tool steel
Cable Length	50FT



\* Specifications are subject to change without prior notice



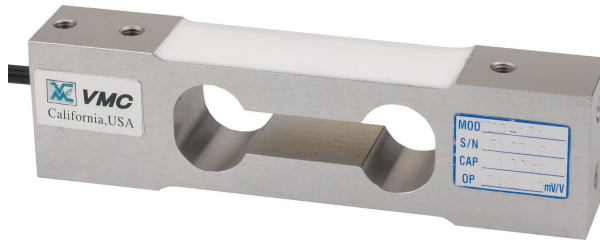
## VLC-131

### SINGLE POINT LOAD CELL

#### APPLICATIONS

Single Point  
platform scale

Bench scale



#### STANDARD CAPACITY

5, 10, 20, 30, 50, 100, 200 lb

#### WIRING

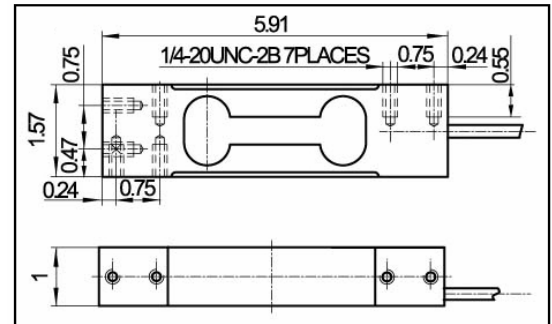
RED	Input (+)
BLACK	Input (-)
GREEN	Output (+)
WHITE	Output (-)

#### RECOMMENDED MAX. PLATFORM SIZE

300mm x 300mm

#### SPECIFICATIONS

Rated output	2mV/V $\pm$ 10%
Non-linearity	0.03% F.S.
Hysteresis	0.03% F.S.
Non-repeatability	0.02% F.S.
Creep (in 1 hr)	0.03% F.S.
Zero Balance	$\pm$ 1%
Temp. effect span	15 PPM / °C
Temp. effect zero	26 PPM / °C
Operating Temp. range	-20°C ~ +60°C
Compensated Temp. range	-10°C ~ +40°C
Input resistance	400 $\pm$ 15 $\Omega$
Output resistance	350 $\pm$ 3 $\Omega$
Safe overload	150% F.S.
Ultimate overload	300% F.S.
Excitation voltage	10VDC/AC
Max. Excitation voltage	15VDC/AC
Insulation resistance	$\geq$ 2000M $\Omega$
Environmental protection	IP67
Material	Aluminum
Cable Length	5FT



(inch)

\* Specifications are subject to change without prior notice



## VLC-132

### SINGLE POINT LOAD CELL

#### APPLICATIONS

Single Point  
platform scale

Belt Conveyor

Bench scales

Checkweighing

Hopper scales



#### STANDARD CAPACITY

60, 100, 250, 500, 635kg

#### WIRING

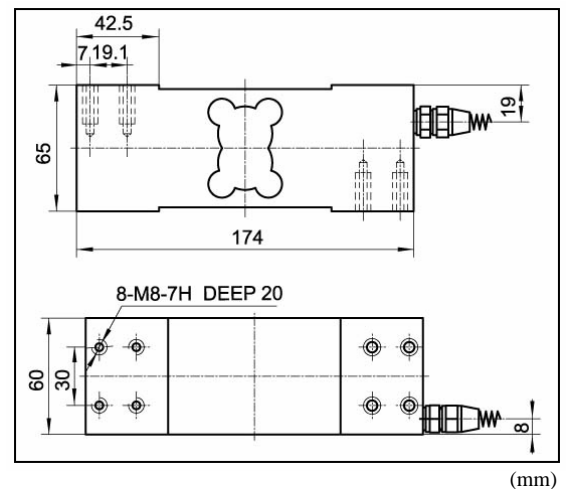
RED	Input (+)
BLACK	Input (-)
GREEN	Output (+)
WHITE	Output (-)

#### RECOMMENDED MAX. PLATFORM SIZE

400mm x 600mm

#### SPECIFICATIONS

Rated output	2mV/V $\pm$ 10%
Non-linearity	0.03% F.S.
Hysteresis	0.03% F.S.
Non-repeatability	0.02% F.S.
Creep (in 1 hr)	0.03% F.S.
Zero Balance	$\pm$ 1%
Temp. effect span	15 PPM / $^{\circ}$ C
Temp. effect zero	26 PPM / $^{\circ}$ C
Operating Temp. range	-20 $^{\circ}$ C ~ +60 $^{\circ}$ C
Compensated Temp. range	-10 $^{\circ}$ C ~ +40 $^{\circ}$ C
Input resistance	400 $\pm$ 15 $\Omega$
Output resistance	350 $\pm$ 3 $\Omega$
Safe overload	150% F.S.
Ultimate overload	300% F.S.
Excitation voltage	10VDC/AC
Max. Excitation voltage	15VDC/AC
Insulation resistance	$\geq$ 2000M $\Omega$
Environmental protection	IP67
Material	Aluminum
Cable Length	9FT



\* Specifications are subject to change without prior notice

## VLC-133

### SINGLE POINT LOAD CELL

#### APPLICATIONS

Single Point  
platform scale

Belt Conveyor

Bench scales

Checkweighing

Hopper scales



#### STANDARD CAPACITY

100, 250, 500, 635, 1000kg

#### WIRING

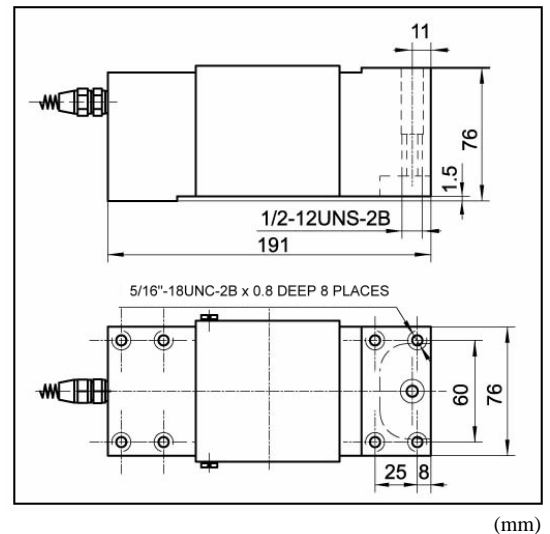
RED	Input (+)
BLACK	Input (-)
GREEN	Output (+)
WHITE	Output (-)

#### RECOMMENDED MAX. PLATFORM SIZE

750mm x 750mm

#### SPECIFICATIONS

Rated output	2mV/V $\pm$ 10%
Non-linearity	0.03% F.S.
Hysteresis	0.03% F.S.
Non-repeatability	0.02% F.S.
Creep (in 1 hr)	0.03% F.S.
Zero Balance	$\pm$ 1%
Temp. effect span	15 PPM / °C
Temp. effect zero	26 PPM / °C
Operating Temp. range	-20°C ~ +60°C
Compensated Temp. range	-10°C ~ +40°C
Input resistance	400 $\pm$ 15 $\Omega$
Output resistance	350 $\pm$ 3 $\Omega$
Safe overload	150% F.S.
Ultimate overload	300% F.S.
Excitation voltage	10VDC/AC
Max. Excitation voltage	15VDC/AC
Insulation resistance	$\geq$ 2000M $\Omega$
Environmental protection	IP67
Material	Aluminum
Cable Length	8FT



(mm)

\* Specifications are subject to change without prior notice

## VLC-134

### SINGLE POINT LOAD CELL

#### APPLICATIONS

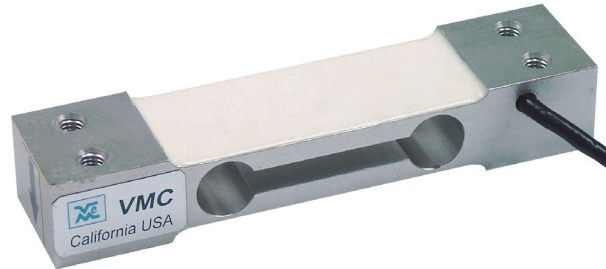
Single Point  
platform scale

Belt Conveyor

Bench scales

Checkweighing

Hopper scales



#### STANDARD CAPACITY

3kg, 6kg, 10kg, 20kg
25kg, 35kg
50kg, 100kg

#### WIRING

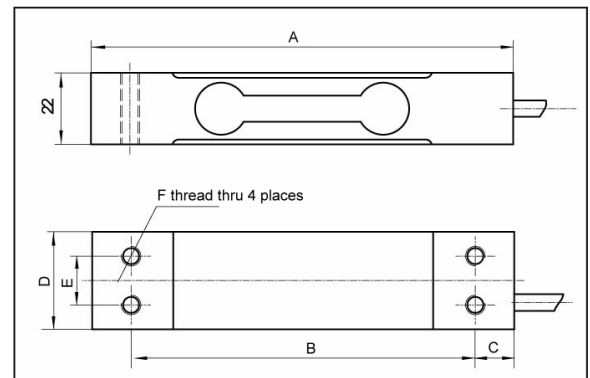
RED	Input (+)
BLACK	Input (-)
GREEN	Output (+)
WHITE	Output (-)

#### RECOMMENDED MAX. PLATFORM SIZE

400mm x 400mm
---------------

#### SPECIFICATIONS

Rated output	2mV/V $\pm$ 10%
Non-linearity	0.03% F.S.
Hysteresis	0.03% F.S.
Non-repeatability	0.02% F.S.
Creep (in 1 hr)	0.03% F.S.
Zero Balance	$\pm$ 1%
Temp. effect span	15 PPM / °C
Temp. effect zero	26 PPM / °C
Operating Temp. range	-20°C ~ +60°C
Compensated Temp. range	-10°C ~ +40°C
Input resistance	400 $\pm$ 15 $\Omega$
Output resistance	350 $\pm$ 3 $\Omega$
Safe overload	150% F.S.
Ultimate overload	300% F.S.
Excitation voltage	10VDC/AC
Max. Excitation voltage	15VDC/AC
Insulation resistance	$\geq$ 2000M $\Omega$
Environmental protection	IP67
Material	Aluminum
Cable Length	13FT



#### DIMENSION

Capacity (kg)	A	B	C	D	E	F
3	70	58	6	15	7	M3
6 – 20	130	106	12	30	15	M6
25 – 35	130	106	12	40	15	M6
50 – 100	130	106	12	50	25	M6

\* Specifications are subject to change without prior notice

## VLC-137S

### STAINLESS STEEL SINGLE POINT LOAD CELL

#### APPLICATIONS

Single Point  
platform scale

Belt Conveyor

Bench scales

Checkweighing

Hopper scales



#### STANDARD CAPACITY

60, 100, 200, 300, 500kg

#### WIRING

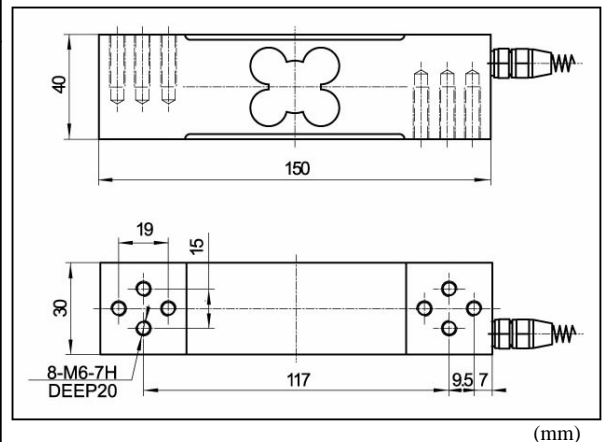
RED	Input (+)
BLACK	Input (-)
GREEN	Output (+)
WHITE	Output (-)

#### RECOMMENDED MAX. PLATFORM SIZE

600mm x 450mm

#### SPECIFICATIONS

Rated output	2mV/V $\pm$ 0.1%
Non-linearity	0.03% F.S.
Hysteresis	0.03% F.S.
Non-repeatability	0.02% F.S.
Creep (in 1 hr)	0.03% F.S.
Zero Balance	$\pm$ 1%
Temp. effect span	15 PPM / °C
Temp. effect zero	26 PPM / °C
Operating Temp. range	-20°C ~ +60°C
Compensated Temp. range	-10°C ~ +40°C
Input resistance	400 $\pm$ 20 $\Omega$
Output resistance	350 $\pm$ 3 $\Omega$
Safe overload	150% F.S.
Ultimate overload	300% F.S.
Excitation voltage	10VDC/AC
Max. Excitation voltage	15VDC/AC
Insulation resistance	$\geq$ 2000M $\Omega$
Environmental protection	IP67
Material	Stainless steel
Cable Length	20FT



(mm)

\* Specifications are subject to change without prior notice

## VLC-138

### SINGLE POINT LOAD CELL

#### APPLICATIONS

Single Point  
platform scale  
Belt Conveyor  
Bench scales  
Checkweighing  
Hopper scales



#### STANDARD CAPACITY

50kg, 100kg, 150kg, 300, 500kg  
1000kg, 1200kg

#### WIRING

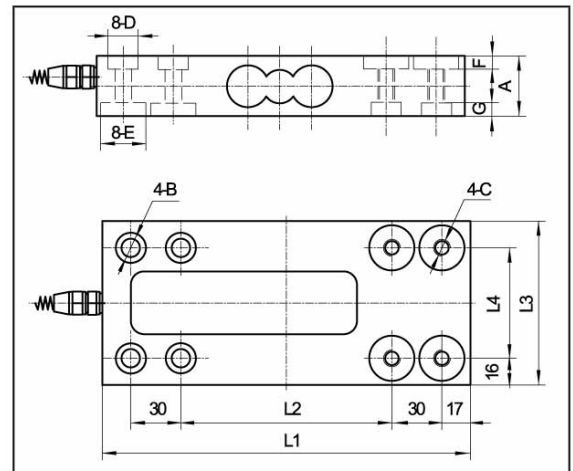
RED	Input (+)
BLACK	Input (-)
GREEN	Output (+)
WHITE	Output (-)

#### RECOMMENDED MAX. PLATFORM SIZE

600mm x 800mm (50 ~ 500kg)  
800mm x 1000mm (1000 ~ 1200kg)

#### SPECIFICATIONS

Rated output	2mV/V $\pm$ 10%
Non-linearity	0.03% F.S.
Hysteresis	0.03% F.S.
Non-repeatability	0.02% F.S.
Creep (in 1 hr)	0.03% F.S.
Zero Balance	$\pm$ 1%
Temp. effect span	15 PPM / °C
Temp. effect zero	26 PPM / °C
Operating Temp. range	-20°C ~ +60°C
Compensated Temp. range	-10°C ~ +40°C
Input resistance	400 $\pm$ 15 $\Omega$
Output resistance	350 $\pm$ 3 $\Omega$
Safe overload	150% F.S.
Ultimate overload	300% F.S.
Excitation voltage	10VDC/AC
Max. Excitation voltage	15VDC/AC
Insulation resistance	$\geq$ 2000M $\Omega$
Environmental protection	IP67
Material	Aluminum
Cable Length	20FT



#### DIMENSION

	(mm)										
Capacity (kg)	A	B	C	D	E	F	G	L1	L2	L3	L4
50 – 100kg	25	Ø9	M18	Ø18	Ø18	8	8	200	110	80	56
150kg	27	Ø11	M10	Ø18	Ø27	8	8	220	126	98	66
300kg	31	Ø11	M10	Ø18	Ø27	8	8	220	126	98	66
500kg	36	Ø11	M10	Ø18	Ø27	8	8	220	126	98	66
1000 – 1200kg	47	Ø13	M12	Ø22	Ø27	10	10	220	126	98	66

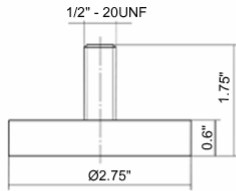
\* Specifications are subject to change without prior notice



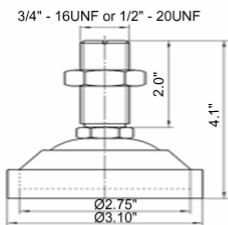


## ACCESSORIES

### Load cell footing, Cable, Summing Box, Micro Printer

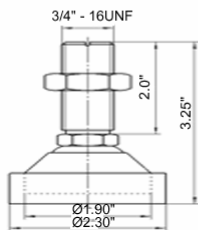


**VF-050 & VF-050S**



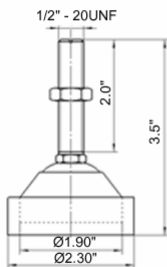
**VFB**

**VFB-175 & VFB-175S  
VFB-150 & VFB-150S**



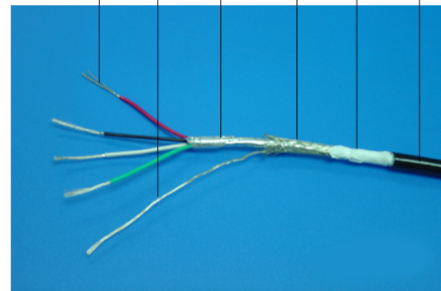
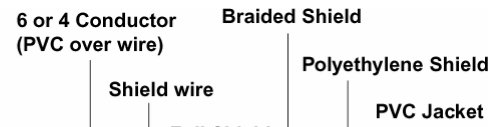
**VFS**

**VFS-175 & VFS-175S**



**VFS**

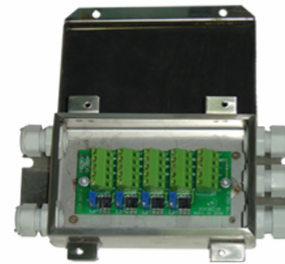
**VFS-150 & VFS-150S**



**VLC-C-4 & VLC-C-6**



**VSB-6**



**VSB-4**



**VMP-P (Panel Mount)  
VMP-T (Table Top)**

\* Specifications are subject to change without prior notice





## APPLICATIONS

Load cell signal  
simulator

## DESCRIPTIONS

UP TO  $\pm 3.1\text{mV/V}$   
RS232C serial output



# VLS200

DIGITAL  
LOADCELL  
SIMULATOR

## Specifications

Output signal range : -3.1000 to +3.1000 mV/V

Minimum step : 0.0001 mV/V

Linearity : 0.01% FS

Display : LCD(122 x 32) dot-matrix, with back-light, Black characters on green light background)

7 pin connector link to indicator

9 pin D-type connector for RS232 serial output

4 bit DIP switch to select load cell input resistor

Battery : 9VDC (Rechargeable)

Power current : 80 mADC ( with back-light)

40 mADC (without back-light)

\* Specifications are subject to change without prior notice